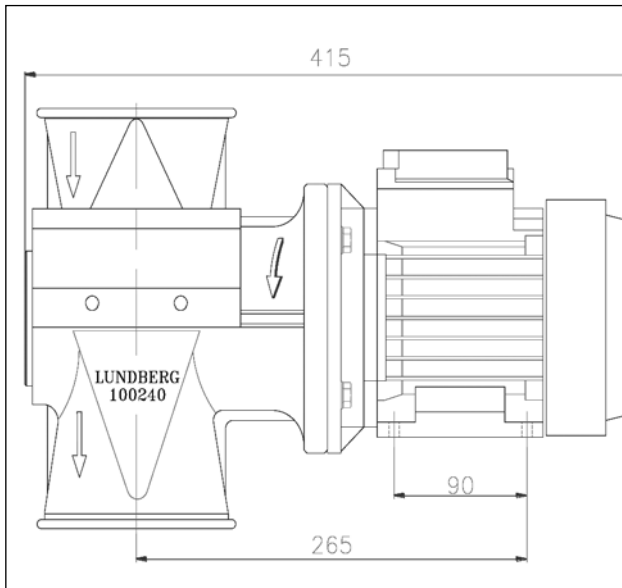




## Granulator & Cutter GR80



<b>Granulator housing</b>	Cast iron.
<b>Motor standard</b>	0,55kW type M71, 1400/2800 rpm
<b>Power</b>	3x400V, 50Hz.
<b>Nom. amperage</b>	1,20A
<b>Fuse</b>	10 Amp.
<b>Rotor standard</b>	3 pcs. Hard-metal blades.
<b>Rotor option</b>	6-9-12 pcs. Hard-metal blades.
<b>Piping</b>	Ø125 mm. transfer
<b>Transmission</b>	Direct coupling
<b>Weight incl. motor</b>	20 kg
<b>Weight excl. motor</b>	12.5 kg
<b>Surface treatment</b>	Powder lacquering, RAL 5010
<b>Noise level</b>	60 dB (A)
<b>Maximum capacity</b>	500 Kg/hour
<b>Minimum thickness</b>	20 microns

